



## 32028 X/DF

- Popular item  
- SKF Explorer

Tapered roller bearings, single row,  
matched face-to-face

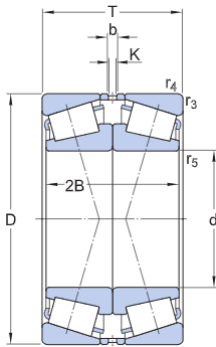
Bearing data

[Tolerances](#),  
Normal + CL7C, P5, total width,  
[Internal clearance](#),  
values

Bearing interfaces

[Seat tolerances for standard conditions](#),  
[Tolerances and resultant fit](#)

## Technical specification

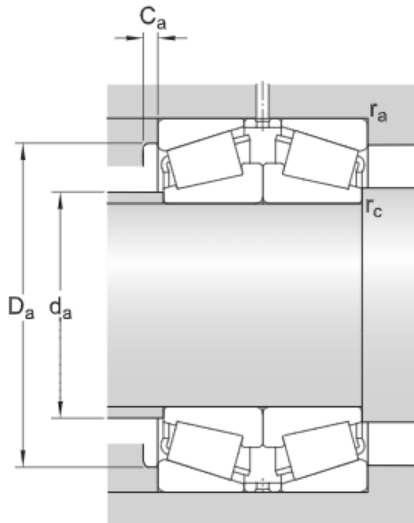


### DIMENSIONS

d	140 mm	Bore diameter
D	210 mm	Outside diameter
T	90 mm	Total bearing width
2B	90 mm	Total bearing width over inner rings
b	13 mm	Width annular lubrication groove at spacer ring
K	7.5 mm	Diameter lubrication hole (spacer ring)
r <sub>3,4</sub>	min.2 mm	Corner radius outer ring
r <sub>5</sub>	min.0.6 mm	Chamfer dimension on the small side face of the inner ring

### ABUTMENT DIMENSIONS

d <sub>a</sub>	max.153 mm	Abutment diameter shaft
D <sub>a</sub>	min.187 mm	Abutment diameter housing
D <sub>a</sub>	max.199 mm	Abutment diameter housing
	min.8	Abutment housing - axial space at the large



Ca	mm	side face/ both sides of the outer ring
ra	max.2.5 mm	Fillet radius
rc	max.0.6 mm	Fillet radius

CALCULATION DATA

Basic dynamic load rating	C	692 kN
Basic static load rating	C <sub>0</sub>	1 160 kN
Fatigue load limit	P <sub>u</sub>	116 kN
Reference speed		1 900 r/min
Limiting speed		2 800 r/min
Calculation factor	e	0.46
Calculation factor	Y <sub>1</sub>	1.5
Calculation factor	Y <sub>2</sub>	2.2
Calculation factor	Y <sub>0</sub>	1.4

MASS

Mass bearing pair	10.9 kg
-------------------	---------